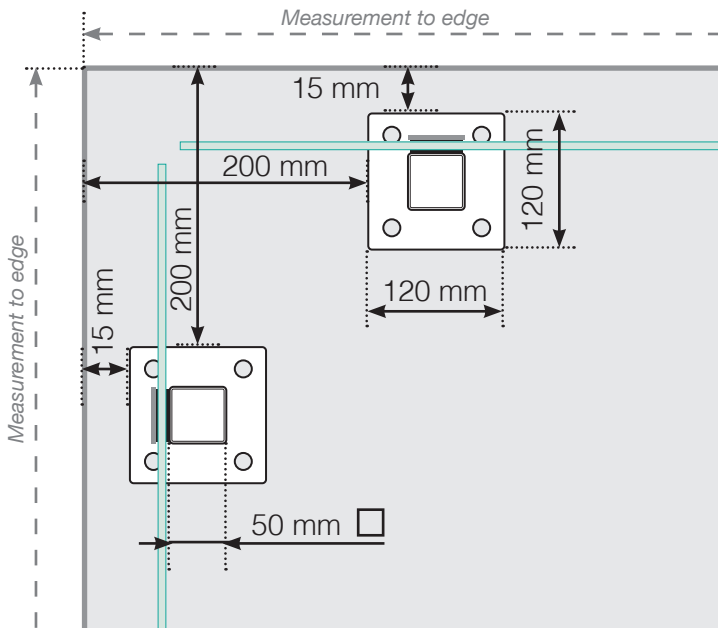


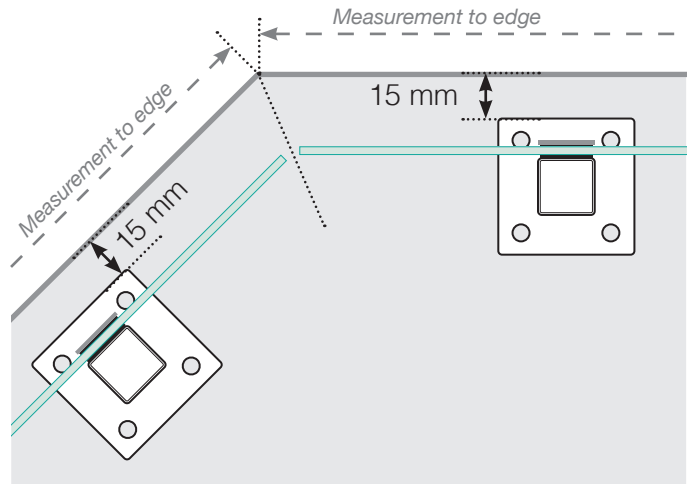
MEASUREMENT DIAGRAM

PLACEMENT - ALUMINIUM POSTS WITH FEET, OUTER GLASS MOUNTING

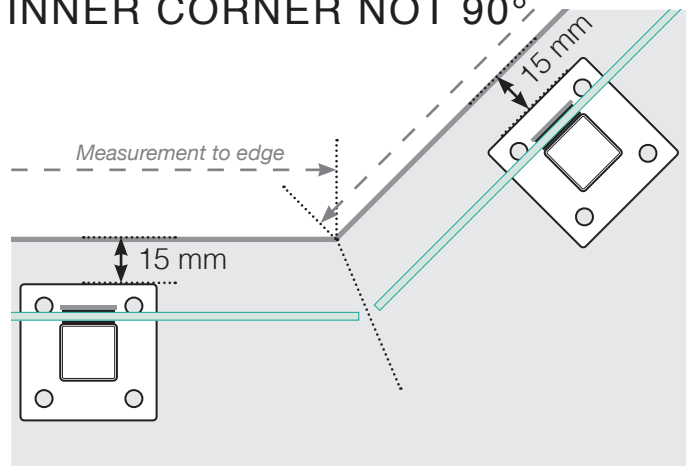
OUTER CORNER



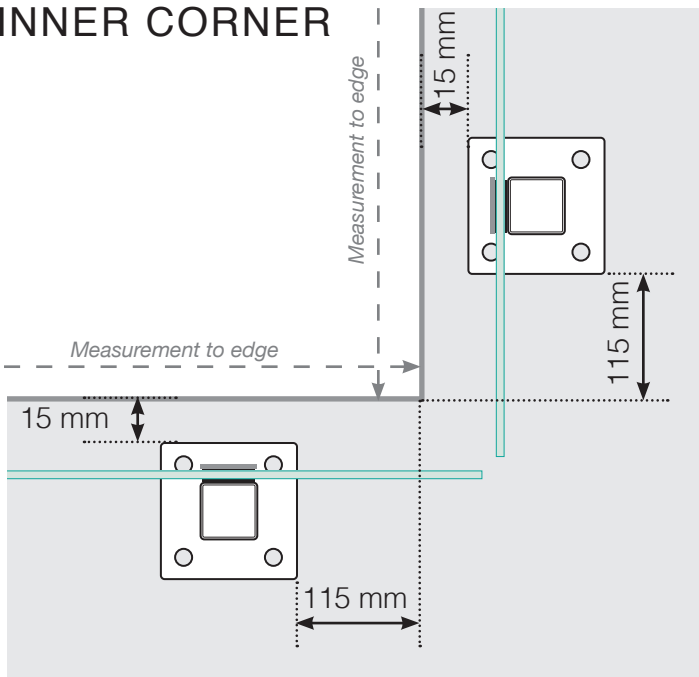
OUTER CORNER NOT 90°



INNER CORNER NOT 90°



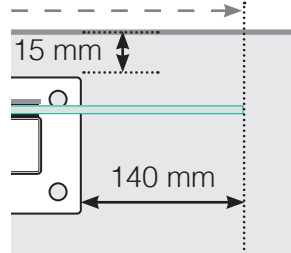
INNER CORNER



END

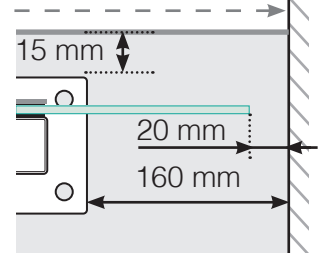
Free-standing

Measurement to edge

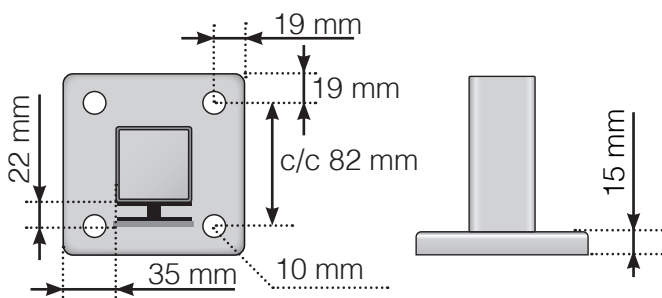
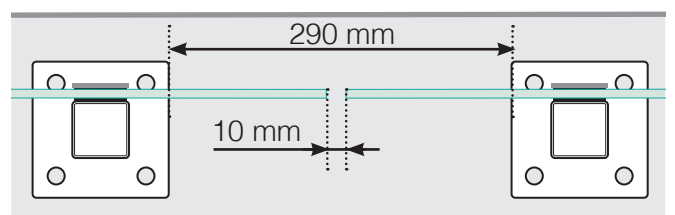


By the wall

Measurement to edge



DISTANCE BETWEEN STRAIGHT SECTIONS



Please note that the drawings are not to scale
© Räckesbutiken Sweden AB - www.balustradestore.eu